

IOT-500

5" Risc-based Panel PC



Features

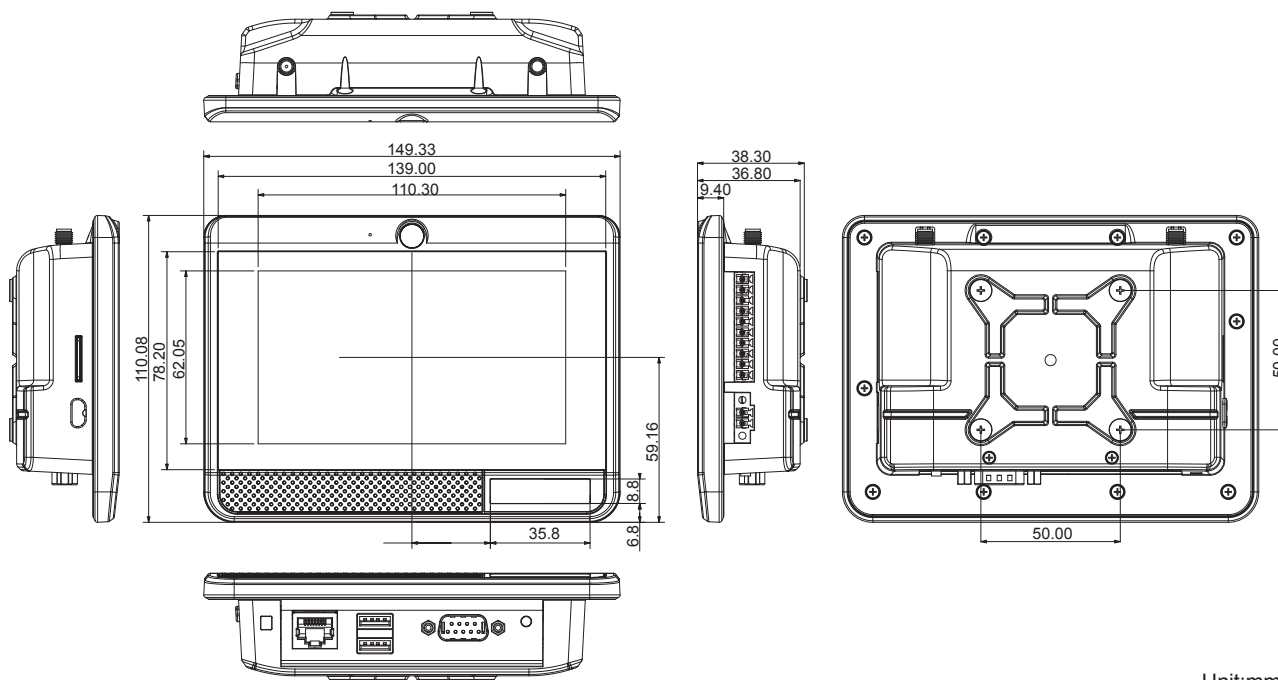
- Android 5.1 operating system
- Dual-core ARM Cortex-A7 1.0GHz
- Front bezel IP65 water and dust resistance
- Flat and ultra-thin front bezel with 5" TFT LCD
- Built-in CAN 2.0b/ OBD-II
- Support 10/100 Mbps Ethernet
- Built-in WWAN, WLAN, GPS and Bluetooth
- 12~24V Wide-range voltage DC-input support

System	
CPU	Dual-core ARM Cortex-A7 1.0GHz
OS	Android™ v5.1
Memory	512MB LPDDR2
Flash	4GB eMMC
Peripherals and Devices	
Front Camera	2.0 megapixel camera
Sensor	Magnetometer (M-Sensor)
Audio	1 x built-in speaker (0.8W) 1 x built-in microphone
Wireless	
WLAN	Integrated IEEE 802.11 a/b/g/n/ac
Bluetooth	Bluetooth 4.1 (BLE, HS compliant)
WWAN (optional)	2G GSM/GPRS/EDGE (Band 850 / 900 / 1800 / 1900) 3G WCDMA/HSPA+ (Band 1,2,5,8)
GPS	GPS/GLONASS/Beidou
I/O Interface	
CAN	CAN 2.0b / OBD-II
USB Port	2 x USB 2.0 High Speed
LAN	1 x 10/100 Mbps
RS-232	1 x RS-232/422/485 (DB-9 male), software configurable
DIO	4 x 3.3V GPIO
SIM Slot	1 x mini-SIM (2FF) slot
DC-in	2-pin terminal block
Button	1 x Power button (reset function button)

LCD Display	
Size/Type	5" TFT LCD
Resolution	960(W) x 540(H)
Brightness	350 cd/m ²
Touch Screen	
Type	5-point projected capacitive touch (PCT)
Power Input	
DC Input	2-pin terminal block 12V~24V Auto-Detection
Mechanical & Environmental	
Ingress Protection	Front bezel IP65
Operating Temp.	-10°C ~ 50°C (14°F ~ 122°F)
Storage Temp.	-20°C ~ 60°C (-4°F ~ 140°F)
Operating Humidity	5% ~ 90% RH
Dimensions (W x H x D)	149.3 x 110 x 36.8 mm (5.88" x 4.33" x 1.45")
Weight	Under 350g (0.77 lb)
Installation	
VESA Mount	50mm x 50mm
Ordering Information	
IOT-500 Lite	5" Risc-based Panel PC with Quad-core ARM, Wi-Fi, Bluetooth, camera, GPS, CAN Bus
IOT-500 Full	5" Risc-based Panel PC with Quad-core ARM, Wi-Fi, Bluetooth, camera, GPS, CAN Bus and 3G



Dimensions



Unit:mm

Standard Accessories

Terminal Block Connector	2-pin DC Terminal Block, Plug, Green
Antenna	Wi-Fi/Bluetooth Antenna
Manual	User Manual

Optional Accessories

Power Adapter	12V/2A AC/DC Power Adapter
---------------	----------------------------



Optional Configuration (CTOS* Kit) (Not Sold Separately)

3G Module	2G GSM/GPRS/EDGE (Band 850 / 900 / 1800 / 1900) 3G WCDMA/HSPA+ (Band 1,2,5,8)
-----------	--

*CTOS means *Configure-to-Order Service*.